



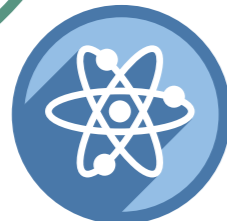
The power of fibre cement roofing

For more than a century, fibre cement roofing has proved to be the most durable roofing material at the most affordable price.

Millions of fibre cement roofs in the world have witnessed the test of time successfully.

A material with superior characteristics

- Noise attenuation**
Reduction of the noise caused by driving rain
- No corrosion, no rust**
Resistant to the high salinity of coastal areas
- Can be painted and repainted**
Dirt from surface should be removed before repaint works
- Fire resistant**
Fibre cement sheets are incombustible and don't generate smoke
- Chemical resistant**
Highly resistant to many industrial chemical vapors in the industry and livestock areas



Asbestos FREE

A versatile product even for façade cladding
More solutions? Please contact us



Above All



Asbestos FREE

Etex Malaysia Sdn Bhd
(Formerly known as Promat (Malaysia) Sdn Bhd)

Unit 19-02-01 | Level 2 Wisma Tune
No.19 Lorong Dungun | Damansara Heights
50490 Kuala Lumpur | Malaysia

Tel: +60 (3) 2095 8555
Email: info@kalsi-building-solutions.com
www.kalsi-building-solutions.com



SCAN AND VISIT OUR WEBSITE

Disclaimer:
The technical data provided in this document is based on mean values prevalent at time of publication and is thus subject to fluctuation. It should not be regarded as a guarantee to system performance.

The sole purpose of images, references and recommendations in this document is to illustrate the functionality and versatility of the products and solutions and the proven international expertise of the Etex Group. Please note that the successful performance of the product & solutions depends on numerous factors outside the control of PT. Etex Building Performance Indonesia (quality of workmanship, design, handling and storage procedures, etc.).

This document is protected by International copyright laws. Reproduction and distribution in whole or in part without prior written permission is strictly prohibited. Eter and logo are trademarks of Etex NV or an affiliate thereof. Any use without authorisation is strictly prohibited and may violate trademark laws.

© Etex Building Performance 2022-01 / Asia Pacific

Roofing Solutions

— That Last Forever —

An industrial company with a proven history and a promising future

etex inspiring ways of living

What we do

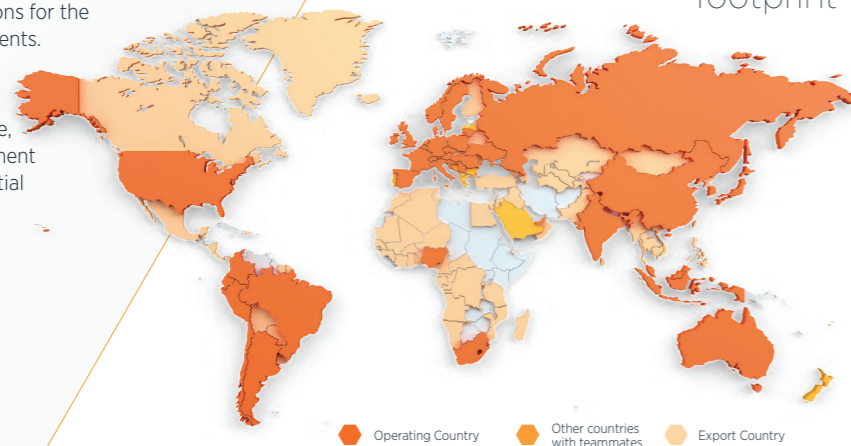
Improving our customers' quality of living with ever more effective lightweight solutions.

Building Performance
Leader in plasterboards and fibre cement boards, and the global reference in passive fire protection solutions for the residential and commercial segments.

Exteriors
Provider of innovative, durable, high performance and beautiful fibre cement exterior materials for architectural, residential and agricultural projects.

Industry
Front runner of engineering expertise to drive the future of high performance thermal and acoustic insulation as well as passive fire protection in the industrial, aerospace and energy sectors.

New Ways
As a new division created in January 2020, New Ways offers high-tech offsite modular solutions based on wood and steel framing.



Strong manufacturing global footprint

>110 Sites: plants, quarries, offices
42 Operating countries
>11,000* Teammates

* Excluding the Residential Roofing companies which have been divested in 2020 as well as the personnel of Knaufr's former plasterboard business in Australia, as this operation was finalised in February 2021. The figures includes the personnel of FSI Limited, which was acquired by Etex in September 2020.

Our main Commercial Brands

CEDRAL

DURLOCK

Eternit

EQUITONE

Gyplac

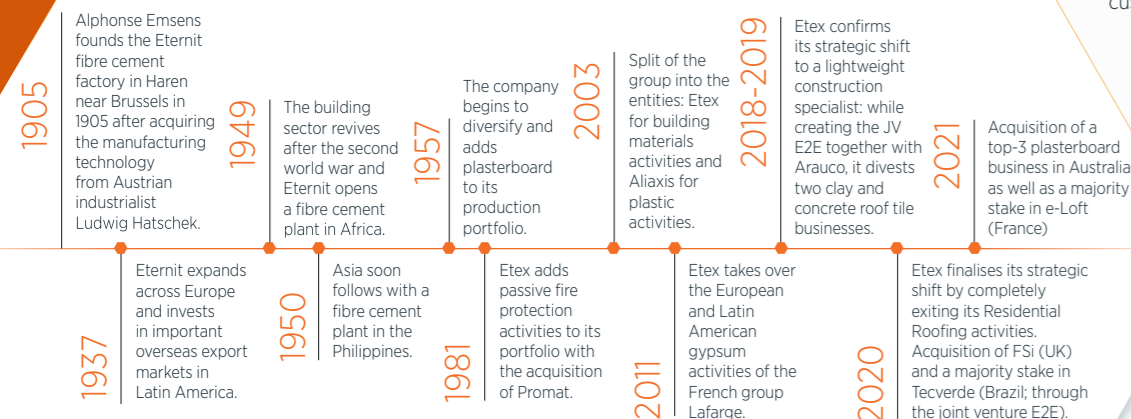
Kalsi

Promat

Superboard

siniat

Over a century of sustainable profitable growth



Inspiring ways of living

Our why
We want to inspire people around the world to build living spaces that are ever more safe, sustainable, smart and beautiful. Collaborative, customer-focused.

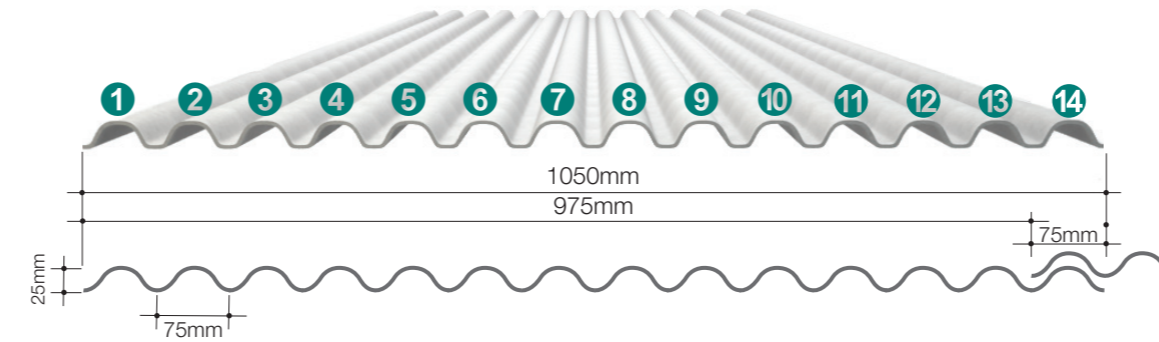
Our why
We work as one, fostering a collaborative and caring culture, a pioneering spirit and a passion to always do better for our customers.

Our what
Building on our experience and global market needs, we strive to improve our customers quality of living with ever more effective lightweight solutions.

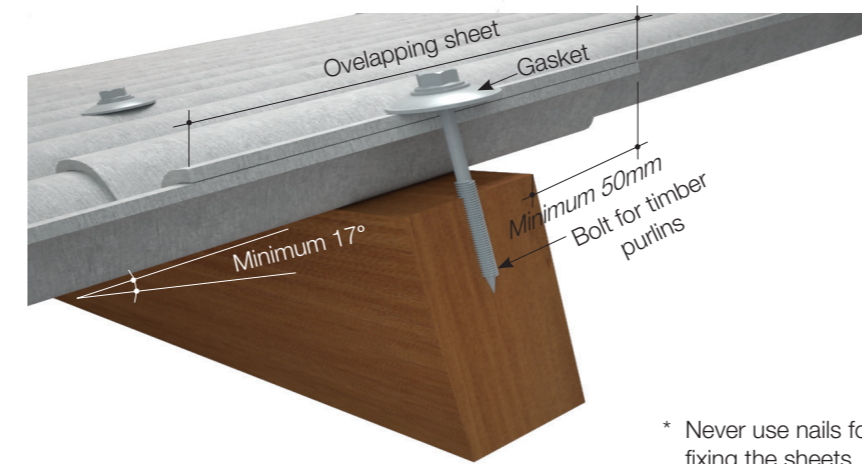
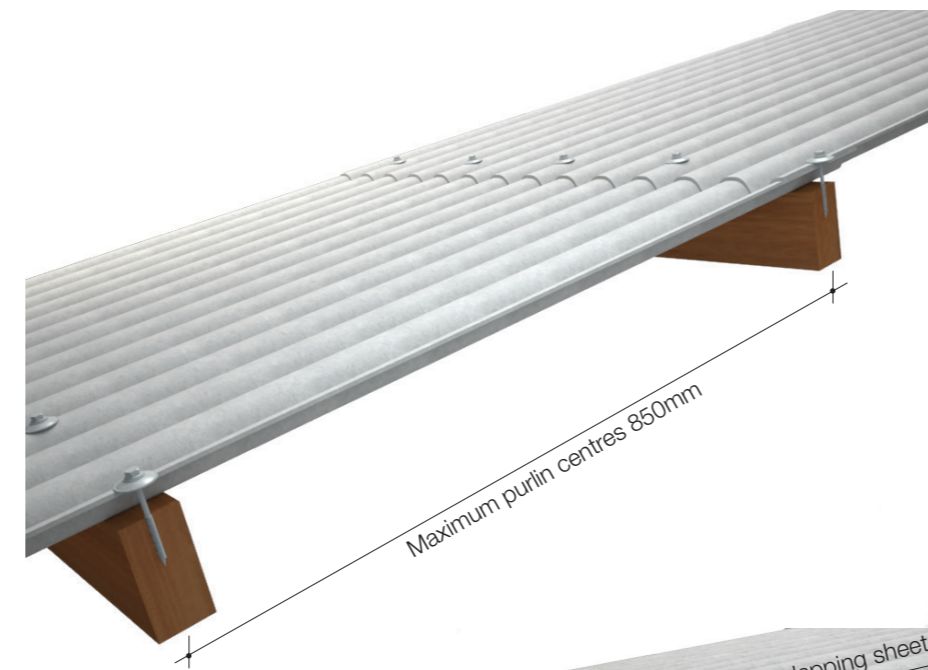
www.etexgroup.com

Technical Data

Eter14®

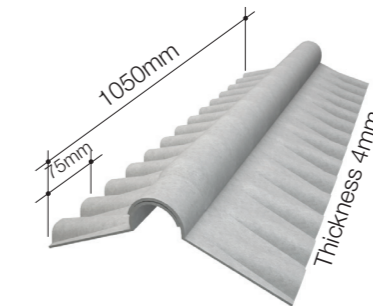


Product	Thickness (mm)	Width (mm)	Length (mm)	Weight (kg)
Eter14®	4	1050	3000	24
	4	1050	2700	21.5
	4	1050	2400	19
	4	1050	1800	14.5

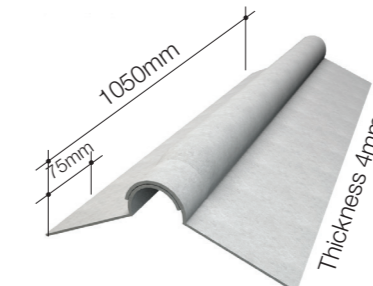


* Never use nails for fixing the sheets

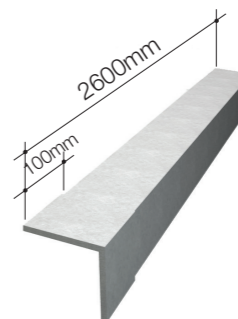
Roof angle	minimum 17° (30%)	25° (47%)	30° (58%)	45° (100%)	50° (119%)	> 60°
Overlapping sheet (mm)	220	200	180	160	140	120



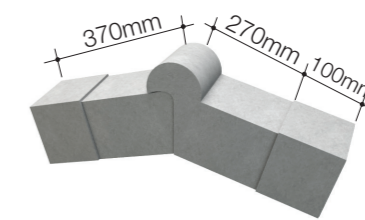
Two piece pitch ridge **EterAX14 NSG***



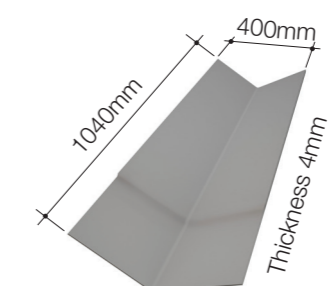
Two piece flat ridge **EterAX14 NSR***



Side barge board **EterAX14 LPK***



Two piece end ridge **EterAX14 UNS***



Single V ridge **EterAX14 LPK V***

Accessories

